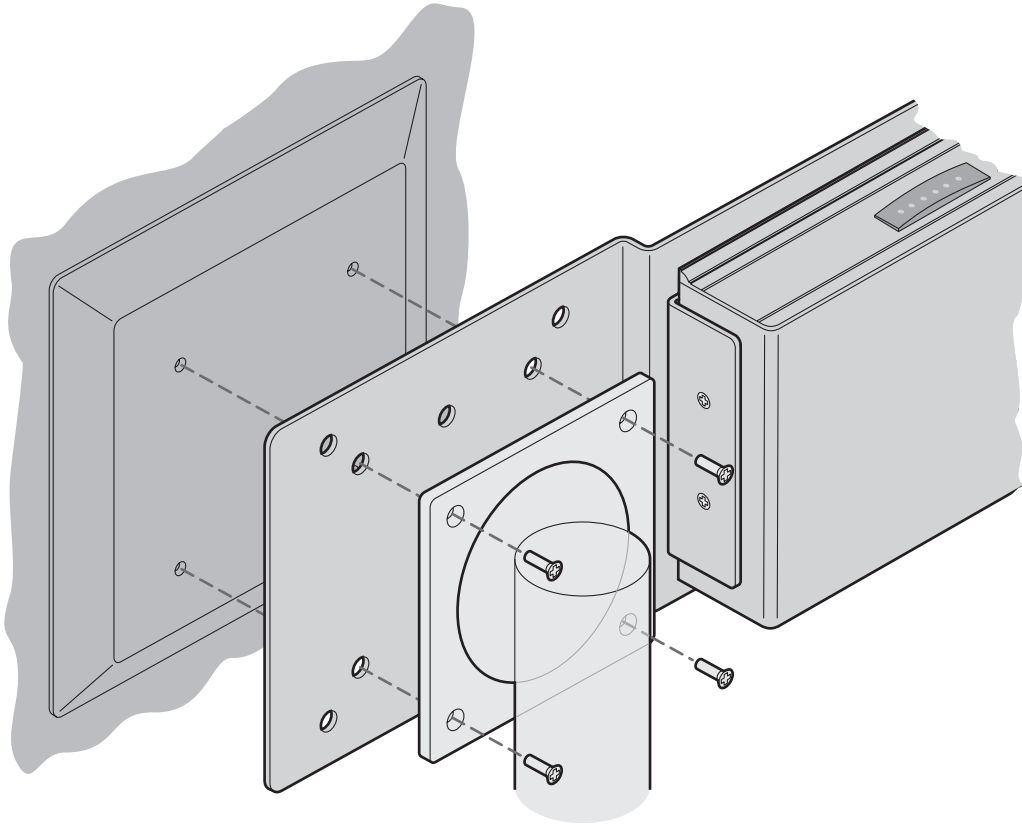


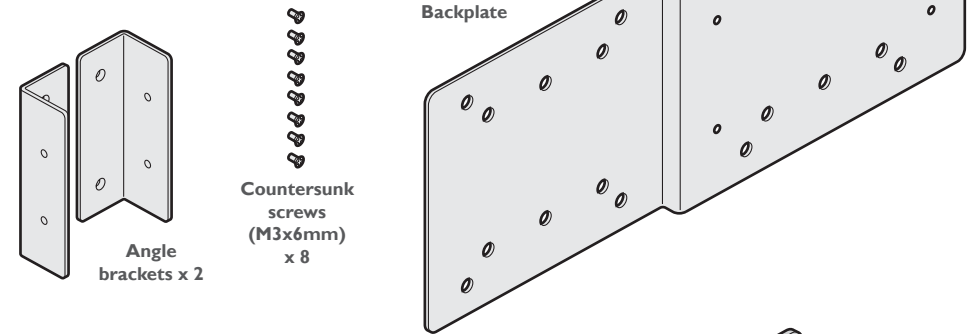
- 6 Carefully place the backplate assembly onto the rear of the monitor screen so that the backplate mounting holes correctly align.
- 7 Place the stand onto the backplate assembly so that its four screw holes also align correctly.
- 8 Using the four screws removed earlier, secure the stand, backplate assembly and monitor.



Welcome

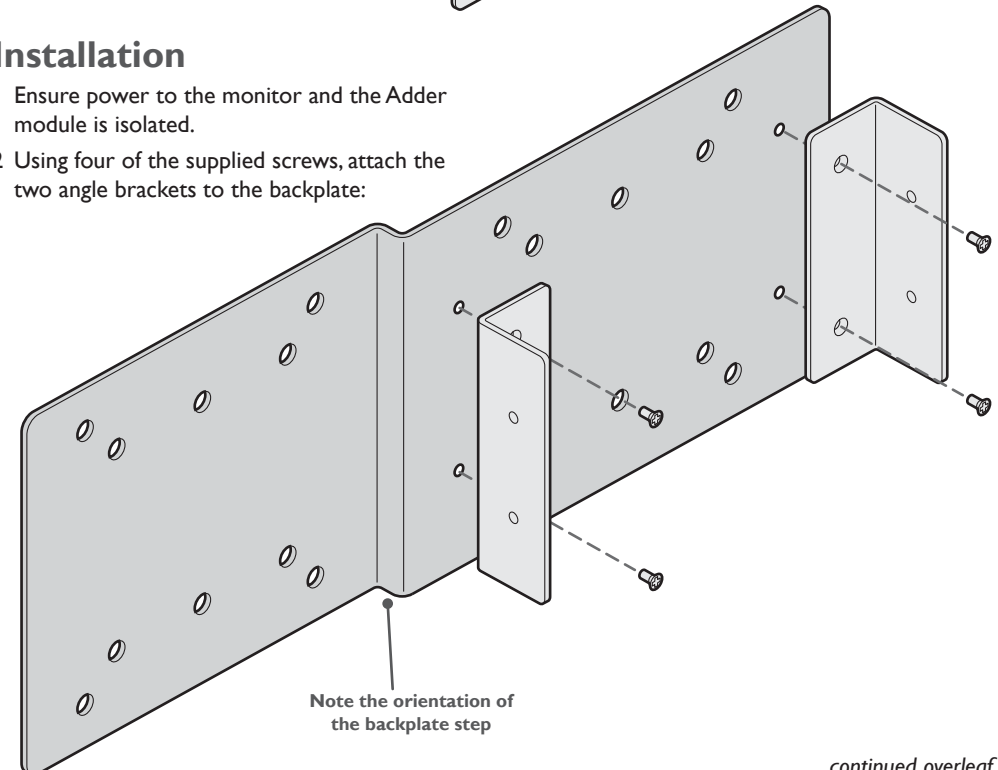
This quick start guide covers the installation of the Adder mount kit onto the rear of a VESA-compliant display monitor.

Parts



Installation

- 1 Ensure power to the monitor and the Adder module is isolated.
- 2 Using four of the supplied screws, attach the two angle brackets to the backplate:



Web: www.adder.com

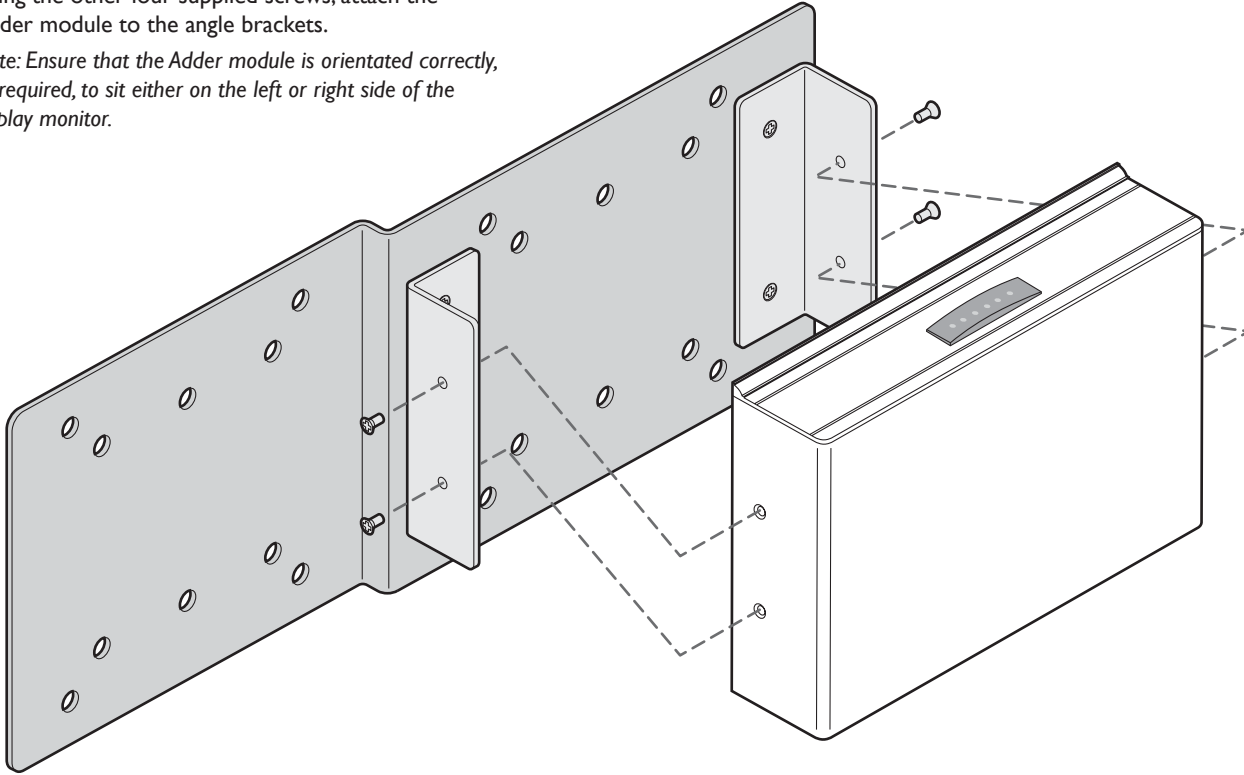
Contact: www.adder.com/contact-us

Support: www.adder.com/support/contact-support

Installation (continued)

- 3 Using the other four supplied screws, attach the Adder module to the angle brackets.

Note: Ensure that the Adder module is orientated correctly, as required, to sit either on the left or right side of the display monitor.



- 4 *Note: This step is best achieved by placing the display monitor face down on a flat surface.*

At the rear of the monitor screen, remove the four screws which secure it to the stand.

- 5 Carefully separate the stand from the monitor screen.

